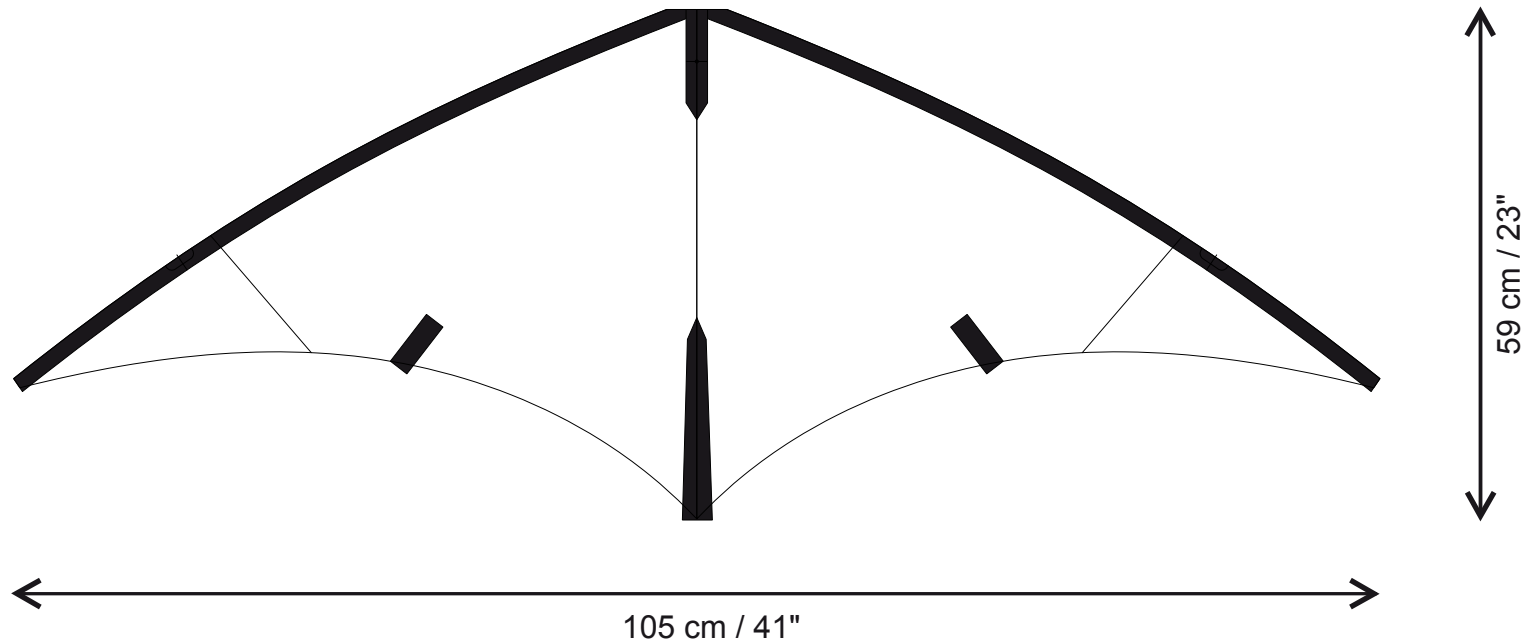


Calypso II

Product Specification:

Sail: Ripstop Nylon
Line: Polyester 20kp 2 x 20m incl. winder
Wind Range: 6-38km/h / 4-24mph
Age: 8+



■ INVENTO GmbH

Klein Feldhus 1
D-26180 Rastede-Neusüdende

Telefon +49 (0) 44 02 92 62 - 0
Telefax +49 (0) 44 02 92 62 29
E-Mail service@invento-hq.com
Internet www.invento-hq.com
www.inventopromotion.com
www.powerkites.de

■ US Distribution by

HQ KITES & DESIGNS U.S.A., INC.

317 Great Bridge Blvd., Suite C
Chesapeake, VA 23320 USA

Toll free (888) 318-3600
E-Mail sales@hq-kites-usa.com
Internet www.hq-kites-usa.com

www.invento-hq.com